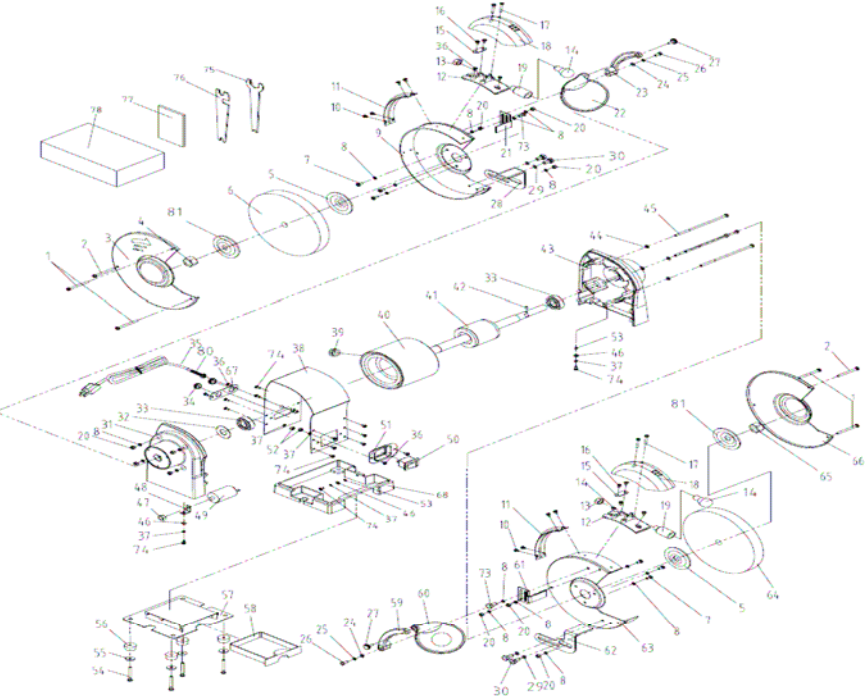
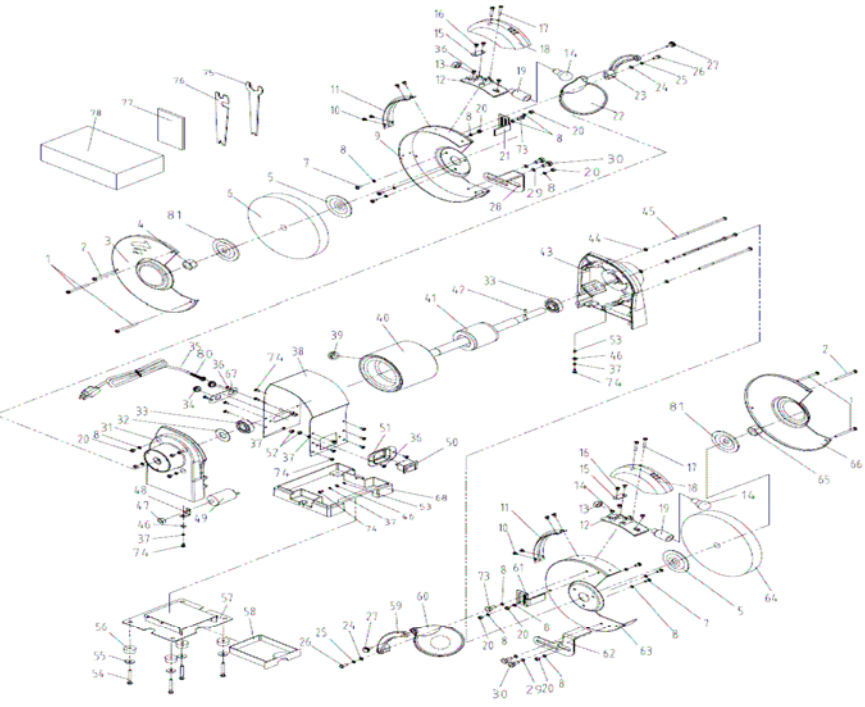


8" BENCH GRINDER PARTS DIAGRAM



Pos.	Item No.	Description	Qty
1	AL00000144	Philip screw	4
2	AL00000107	Philip screw	2
3	AL00000057	Left wheel cover	1
4	AL00000058	I type Hex nut	1
5	AL00000182	Inner Grinder flange	2
6	A-47260	Grinding wheel(WA 60#)	1
7	AL00000111	Philip screw	6
8	AL00000132	Standard spring washer	18
9	AL00000064	Left wheel guard (inner)	1
10	AL00000114	LittlePhilip screw	8
11	AL00000065	Cord press clip	2
12	AL00000008	Lamp cover base	2
13	AL00000009	Lamp holder fixed nut	2
14	AL00000013	Bulb	2
15	AL00000010	Strain relief	2
16	AL00000104	Philip screw	4
17	AL00000105	Philip screw	4
18	AL00000011	Lamp cover assy	2
19	AL00000012	Lamp Assy	2
20	AL00000121	I type Hex nut	10
21	AL00000066	Left spark shield	1
22	AL00000016	Eyeshield assy	1
23	AL00000015	Left eyeshield mounting rod	1
24	AL00000127	Flat Washer	2
25	AL00000133	Standard spring washer	2
26	AL00000119	Hex Bolt	2
27	AL00000014	Eyeshield Locked knob	2
28	AL00000067	Left work rest	1
29	AL00000128	Flat Washer	4
30	AL00000118	Hex Bolt	4
31	AL00000074	Left end cap	1
32	AL00000073	wave spring washer	1
33	AL00000101	ball bearing	2
34	AL00000026	Cord clip	2
35	AL00000171	Wire with plug	1
36	AL00000103	Philip screw	8
37	AL00000131	Standard spring washer	7
38	AL00000184	Motor housing	1
39	AL00000022	Wire bushing	1
40	AL00000190	Stator	1
41	AL00000191	Rotor	1
42	AL00000135	Roll Pin	2
43	AL00000069	Right end cap	1
44	AL00000126	Flat Washer	4
45	AL00000068	Philip Screw	4
46	AL00000146	Flat Washer	3
47	AL00000122	I type Hex nut	1
48	AL00000029	Capacitor support	1
49	AL00000099	Capacitor	1
50	AL00000168	Switch	1

8" BENCH GRINDER PARTS DIAGRAM



Pos.	Item No.	Description	Qty
51	AL00000031	Switch board	1
52	AL00000120	I type Hex nut	4
53	AL00000134	Tooth Locked Washer	2
54	AL00000112	Phillip Screw	4
55	AL00000130	Big Flat Washer	4
56	AL00000083	Rubber foot	4
57	AL00000081	Coolant tray plate assy	1
58	AL00000080	Coolant tray	1
59	AL00000038	Right eyeshield mounting rod	1
60	AL00000037	Magnifying glass Assy	1
61	AL00000079	Right spark shield	1
62	AL00000085	Right work rest	1
63	AL00000084	Right wheel guard(inner)	1
64	A-47254	Grinding wheel(GC 120#)	1
65	AL00000078	I type Hex nut	1
66	AL00000077	Right wheel cover	1
67	AL00000192	Cord Clip Plate	1
68	AL00000076	Base	1
69	AL00000062	Outer Grinder flange	2
70	AL00000061	Counter Balance	4
71	AL00000060	Balance plate	2
72	AL00000059	Phillip Screw	2
73	AL00000115	Hex Bolt	2
74	AL00000108	Phillip Screw	13
75	AL00000087	Hex wrench I	1
76	AL00000086	Hex wrench II	1
77	AL00000167	MANUAL-ERO 8	1
78	AL00000088	Package	1
79	AL00000147	EYESHIELD	1
80	AL00000180	Strain relief	1
81	AL00000181	Wheel Flange	2